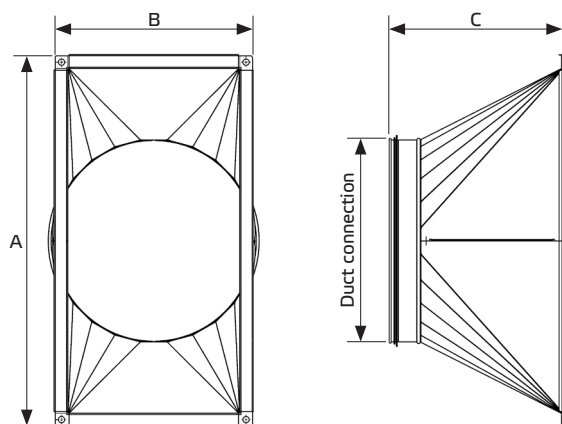


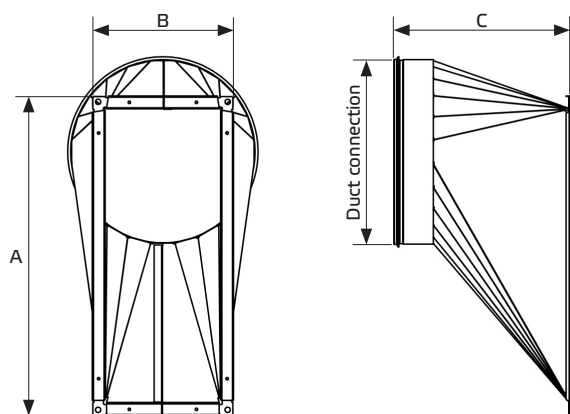
## Transition/Adapter Plate UKR

1/2



Type	ID	Duct Dimensions mm	Round duct connection mm	A mm	B mm	C mm	Weight kg
UKR 3020 01	138617	300 x 200	250	340	240	297	2,0
UKR 4020 05	140939	400 x 200	250	440	240	297	2,3
UKR 5025 03	139899	500 x 250	250	540	290	300	2,6
UKR 5030 03	138621	500 x 300	355	540	340	347	3,4
UKR 5030 04	138688	500 x 300	315	540	340	347	3,2
UKR 6030 09	139911	600 x 300	250	640	340	300	3,0
UKR 6030 10	139904	600 x 300	355	640	340	300	3,3
UKR 6030 11	139907	600 x 300	315	640	340	300	3,2
UKR 8050 01	114494	800 x 500	2 x 355	840	540	300	7,2
UKR 8050 03	139914	800 x 500	500	840	540	300	4,8

- Transition
- Sheet steel, galvanized

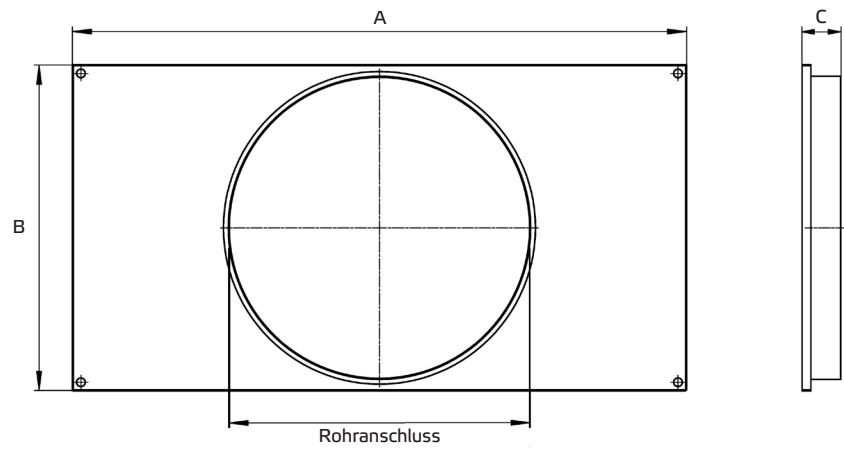


Type	ID	Duct Dimensions mm	Round duct connection	A mm	B mm	C mm	Weight kg
UKR 1050 315	143315	500 x 200	315	543	240	300	2,9
UKR 1700 400 01	143321	600 x 250	left 400	643	293	300	3,7
UKR 1700 400 02	143324	600 x 250	right 400	643	293	300	3,7

- Transition
- Sheet steel, galvanized

Type	ID	For models:
UKR 1050 315	143315	ROTO K 1050 V
UKR 1700 400 01	143321	ROTO K 1700 V
UKR 1700 400 02	143324	ROTO K 1700 V

**Scope of supply:**  
4 allen screw M8 x 16mm  
4 serrated lock washer for nominal size M8



- Adapter Plate
- Sheet steel, galvanized

Type	ID	Duct Dimensions mm	Duct connection mm	A mm	B mm	C mm	Weight kg
UKR 5025 01	114638	500 x 250	250	538	288	40	1,2
UKR 5030 01	114639	500 x 300	250	538	338	40	1,4
UKR 5030 02	115193	500 x 300	280	538	338	40	1,3
UKR 6030 03	114640	600 x 300	315	638	338	40	1,5
UKR 6035 01	114641	600 x 350	355	638	338	40	1,6

**Scope of supply:**

- 4 allen screw M8 x 16mm
- 4 serrated lock washer for nominal size M8