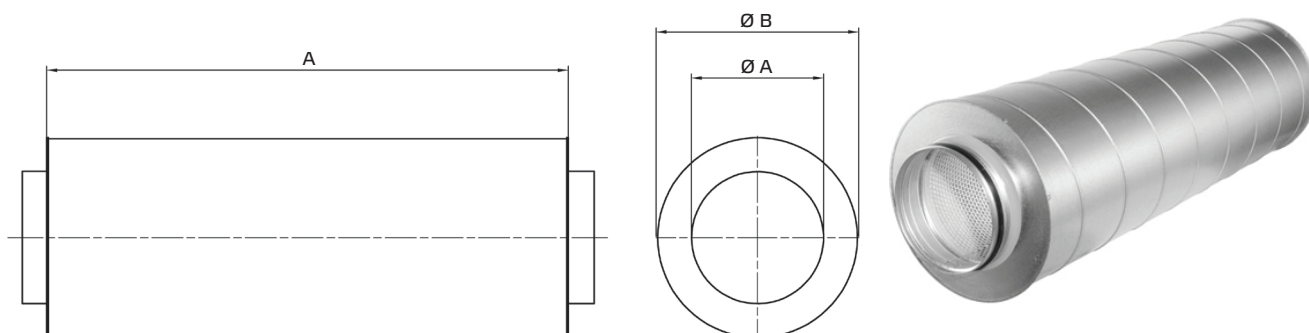


Duct Silencer SDS



Type	ID	Nominal width mm	A [±5%] mm	Ø B [±5%] mm	Ø C [±2%] mm	Weight [±5%] kg
SDS 100	102709	100	900	212	100	4,8
SDS 125	102712	125	1000	212	125	4,9
SDS 150	102714	150	900	262	150	6,3
SDS 160	102717	160	1000	262	160	6,8
SDS 200	102719	200	1050	327	200	8,7
SDS 250	102721	250	1050	412	250	14,0
SDS 280	115243	280	900	412	280	12,4
SDS 315	102723	315	1050	412	315	13,7
SDS 355	102725	355	1050	510	355	18,9
SDS 400	102727	400	1050	650	400	24,5
SDS 450	124179	450	980	650	450	19,8
SDS 500	118834	500	1000	650	500	22,0

- Duct Silencer, rigid
- Mineralwool insulation
- Sheet steel, galvanized

Noise insertion loss dB

Type	Octave band Hz							
	125	250	500	1000	2000	4000	8000	16000
SDS 100	8	10	20	17	18	19	15	7
SDS 125	6	12	25	26	30	30	18	10
SDS 150	5	10	24	24	28	25	22	19
SDS 160	5	11	23	28	34	26	21	26
SDS 200	2	9	19	25	27	18	20	19
SDS 250	1	8	19	25	25	16	15	15
SDS 280	6	10	18	22	18	14	14	15
SDS 315	0	5	10	22	16	13	14	14
SDS 355	4	7	14	24	14	11	12	10
SDS 400	2	3	10	18	10	8	7	6
SDS 450	5	8	11	23	19	18	15	
SDS 500	4	5	10	8	10	11	11	12

Tested according to EN ISO 7235: 2010