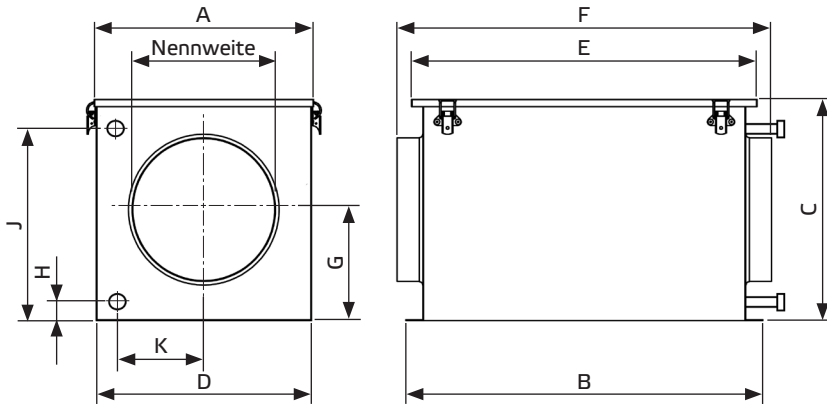


Filter Box FTW



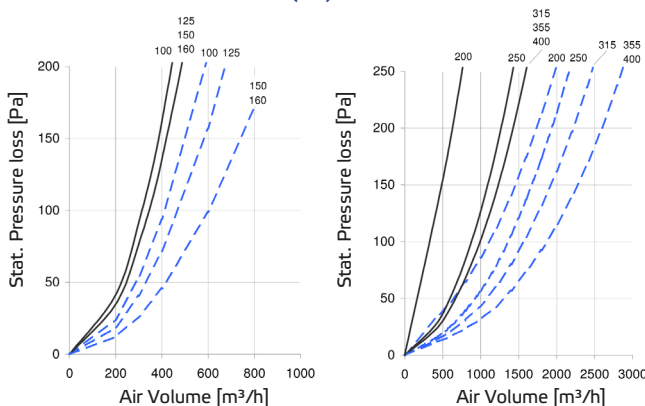
Type	ID	Nominal width mm	Filter Size	A mm	B mm	C mm	D mm	E mm	F mm	Weight kg
FTW 100	112849	100	1	306	648	308	300	632	650	8,8
FTW 125	112850	125	1	306	648	308	300	632	658	8,8
FTW 150	112851	150	1	306	648	308	300	632	668	8,8
FTW 160	112852	160	1	306	648	308	300	632	678	8,8
FTW 200	112853	200	1	306	648	308	300	632	676	8,8
FTW 250	112854	250	1	306	648	308	300	632	678	8,6
FTW 315	112855	315	2	506	648	508	500	632	677	17,4
FTW 355	112856	355	2	506	648	508	500	632	677	17,1
FTW 400	112857	400	2	506	648	508	500	632	677	17,0

- Filter Box with Bag Filter ISO Coarse 70% (M5)
- Integrated heating coil
- Galvanized sheet steel housing
- Toggle-type fastener

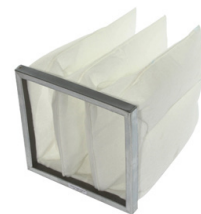
Type	Connection for the warm water heating coil	G mm	H mm	J mm	K mm
FTW 100 - FTW 250	1/2" male	155	36	268	120
FTW 315 - FTW 400	3/4" male	255	37	469	214

Pressure loss test with filter ISO Coarse 70% (M5) and ISO ePM2.5 60% (F7)

--- Filter ISO Coarse 70% (M5) — Filter ISO ePM2.5 60% (F7)



Recommended maximum pressure loss according to filter manufacturer: 250 Pa



Bag Filter
Max. ambient temp 80 °C
1 pc

Replacement Filter		
Size	ID	Filtration class
1	102939	ISO Coarse 70% (M5)
1	102945	ISO ePM2.5 60% (F7)
2	102941	ISO Coarse 70% (M5)
2	102947	ISO ePM2.5 60% F7

Filter Box FTW

Heating capacity - FTW 100 until FTW 250

Air in -15 / 90 °C / % r. H.	heating capacity \dot{V}_L m ³ /h						
Water 70 / 50 °C		1000	800	600	400	300	200
Air out	°C	14,4	17,3	21,2	27,2	31,5	37,5
Capacity	kW	11,3	9,9	8,3	6,5	5,3	4,0
Water Volume	m ³ /h	0,5	0,4	0,4	0,3	0,2	0,2
Water pressure loss	kPa	9,8	7,8	5,7	3,7	2,6	1,6
Design pressure loss filter	Pa	150	150	140	140	130	120

Heating capacity - FTW 315 until FTW 400

Air in -15 / 90 °C / % r. H.	heating capacity \dot{V}_L m ³ /h						
Water 70 / 50 °C		2000	1800	1600	1400	1200	1000
Air out	°C	20,7	22,2	23,9	25,9	28,2	29,7
Capacity	kW	27,0	26,0	24,0	22,0	20,0	18,0
Water Volume	m ³ /h	1,2	1,1	1,0	1,0	0,9	0,7
Water pressure loss	kPa	10,9	13,4	11,8	10,1	8,5	6,9
Design pressure loss filter	Pa	150	150	140	140	130	120