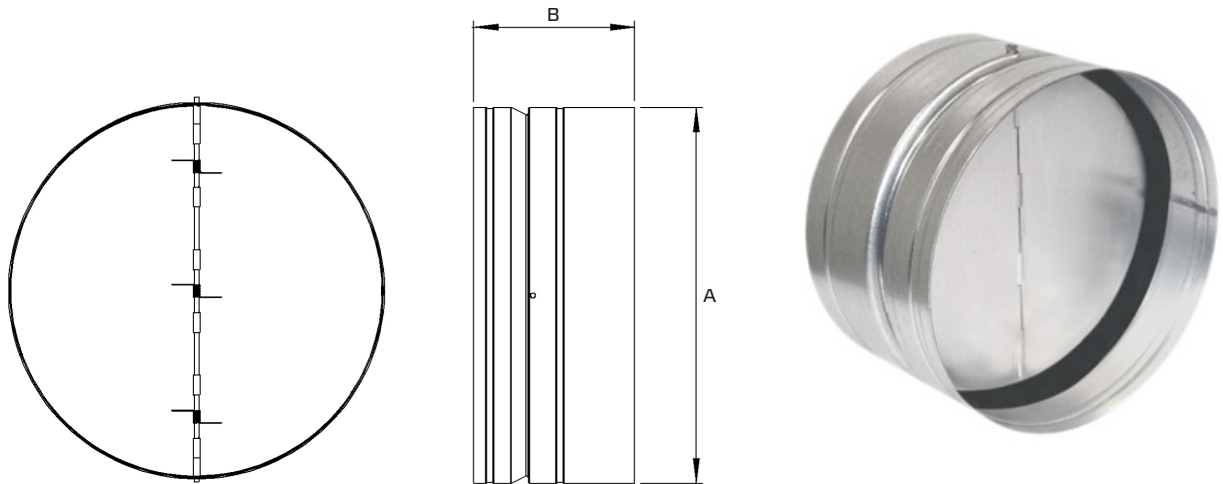


Back Draught Shutter RSK D



Type	ID	Housing leakage at 700 Pa m ³ /h	Shutter leakage at 700 Pa m ³ /h	Nominal width mm	Ø A mm	B mm	Weight kg
RSK 100D	116061	0,84	8,38	100	100	90	0,2
RSK 125D	113483	0,81	8,22	125	125	90	0,3
RSK 150D	113484	0,81	6,92	150	150	90	0,3
RSK 160D	113485	0,83	10,50	160	160	90	0,3
RSK 200D	113487	0,83	13,15	200	200	90	0,4
RSK 250D	113488	0,80	10,75	250	250	130	0,9
RSK 315D	113489	0,73	24,75	315	315	130	1,1
RSK 355D	113491	0,90	30,60	355	355	200	1,9
RSK 400D	113490	0,57	45,17	400	400	200	2,2

- Back Draught Shutter for duct installation
- Galvanized sheet steel housing
- Aluminium flaps
- With seal

