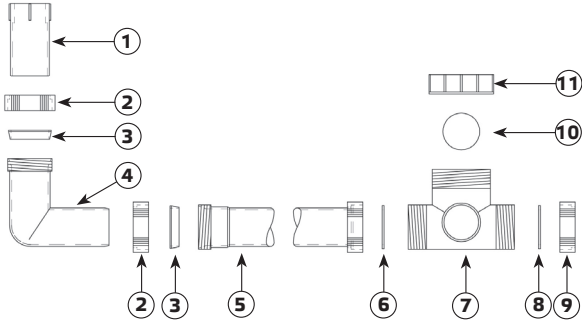
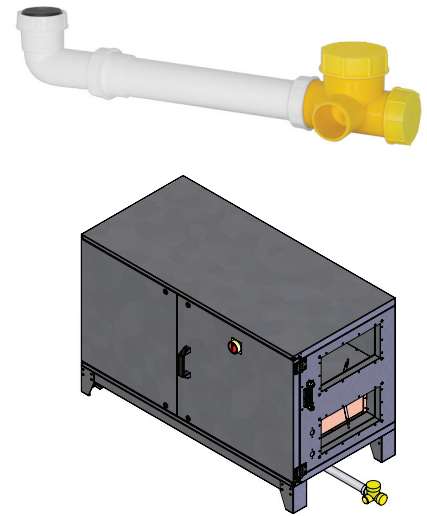


System-compatible siphon SYS

Scope of supply :



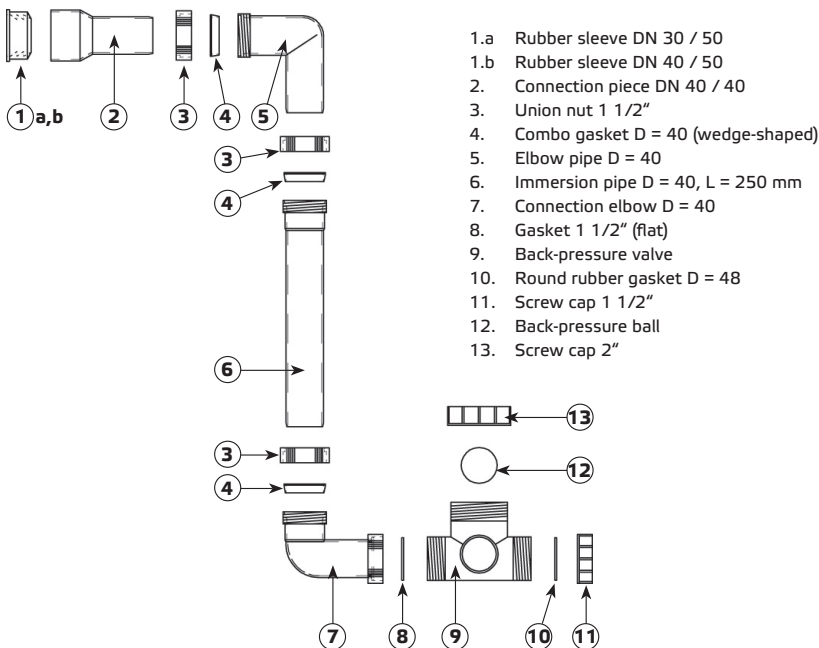
- | | |
|--|-------------------------------|
| 1. Connection with internal screw thread 1" x 20 | 8. Round rubber gasket D = 48 |
| 2. Union nut 1 1/2" | 9. Screw cap 1 1/2" |
| 3. Combo gasket D = 40 (wedge-shaped) | 10. Back-pressure ball |
| 4. Elbow pipe D = 40 | 11. Screw cap 2" |
| 5. Pipe D = 40 with union nut 1 1/2", L = 450 mm | |
| 6. Gasket 1 1/2" (flat) | |
| 7. Back-pressure valve | |



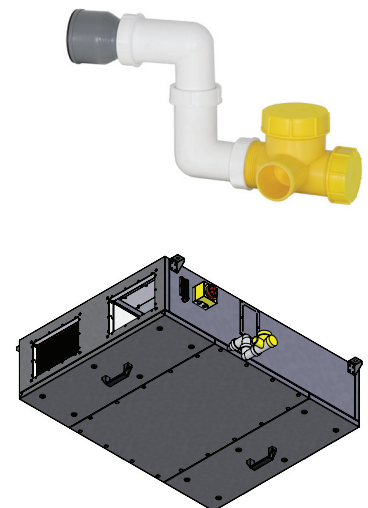
Type	ID	For models:	connection
SYS 01	123971	ETA K...V, ETA K...H	D 40 (1 1/2 ")

- Ball siphon
- Type suction side

Scope of supply :



- | |
|---------------------------------------|
| 1.a Rubber sleeve DN 30 / 50 |
| 1.b Rubber sleeve DN 40 / 50 |
| 2. Connection piece DN 40 / 40 |
| 3. Union nut 1 1/2" |
| 4. Combo gasket D = 40 (wedge-shaped) |
| 5. Elbow pipe D = 40 |
| 6. Immersion pipe D = 40, L = 250 mm |
| 7. Connection elbow D = 40 |
| 8. Gasket 1 1/2" (flat) |
| 9. Back-pressure valve |
| 10. Round rubber gasket D = 48 |
| 11. Screw cap 1 1/2" |
| 12. Back-pressure ball |
| 13. Screw cap 2" |



Type	ID	For models:	connection
SYS 02	125204	ETA K...F ROTO K...H	D 40 (1 1/2 ")

- Ball siphon
- Type suction side