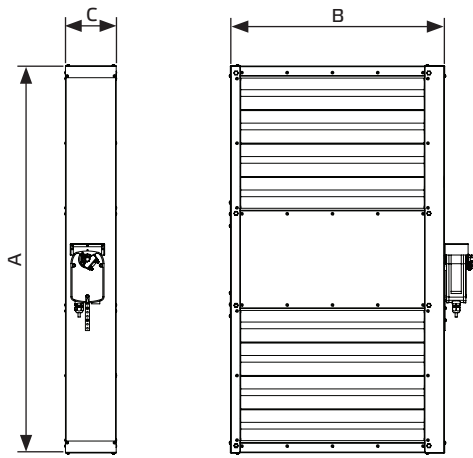


Motor shut-off flap MAK ETA K H



MAK ... H 01
With spring return
(VDI 6022)
MAK ... H 02
With actuator
3-point control

Description:

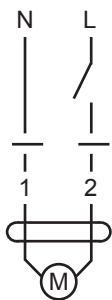
Motor shut-off flap to avoid cold air entry into the duct system when the unit is switched off. MAK motor shut-off flaps protect building parts as well as heating and cooling coil from frost damages.

- Damper combination outdoor and exhaust air
- With actuator OPEN - CLOSED / spring return AC 230 V, 4 Nm
- For direct mounting on the device
- Housing made of sheet steel, galvanized
- 2 duct connections, flange P 20
- Connection cable 1 m length
- Airtight according EN1751 class 2

Type	ID	For models:	A mm	B mm	C mm	Duct connection mm	Weight kg
MAK ETA K 600 H 01	141454	ETA K 600 H	629	484	190	400x200	17,0
MAK ETA K 600 H 02	141455	ETA K 600 H	629	484	190	400x200	15,5
MAK ETA K 1200 H 01	141452	ETA K 1200 H	799	583	190	500x300	23,0
MAK ETA K 1200 H 02	141453	ETA K 1200 H	799	583	190	500x300	21,5
MAK ETA K 2400 H 01	141464	ETA K 2400 H	1158	634	150	550x400	21,5
MAK ETA K 2400 H 02	141465	ETA K 2400 H	1158	634	150	550x400	20,0

Wiring diagram :

MAK ... H 01
With spring return
(VDI 6022)



MAK ... H 02
With actuator
3-point control

