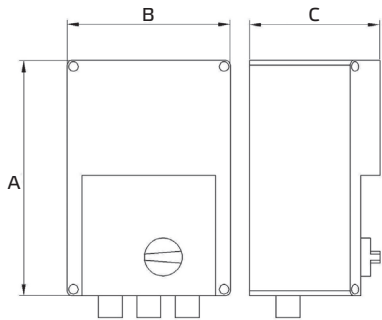
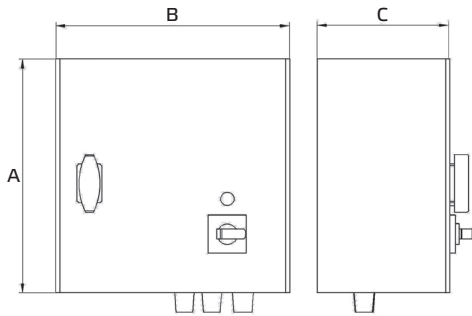


Transformer TEM G

1/2



TEM 035G, TEM 050G, TEM 075G
Plastic housing



TEM 100G, TEM 130G
Metal housing

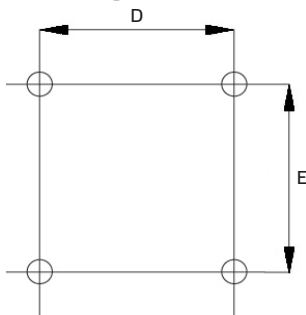


Type	ID	I _{max.} A	Fuse A	A mm	B mm	C mm	D mm	E mm	Weight kg
TEM 035G	111580	3,5	5,0	305	200	140	183	236	5,1
TEM 050G	109966	5,0	8,0	305	200	140	183	236	5,7
TEM 075G	109988	7,5	12,5	305	200	140	183	236	7,9
TEM 100G	109069	10,0	16,0	325	300	185	255	255	12,6
TEM 130G	111581	13,0	18,0	325	300	185	255	255	15,2

- Transformer TEM G
- 230 V ~, 50/60 Hz
- With motor protection
- With contact for gas solenoid valve
- Surface mounting
- Max. ambient temp 35 °C
- Protection Class IP 54

Type	Output voltage U _A V				
	1	2	3	4	5
TEM 035G	110	140	170	200	230
TEM 050G	110	140	170	200	230
TEM 075G	110	140	170	200	230
TEM 100G	110	140	170	200	230
TEM 130G	110	140	170	200	230

Mounting :

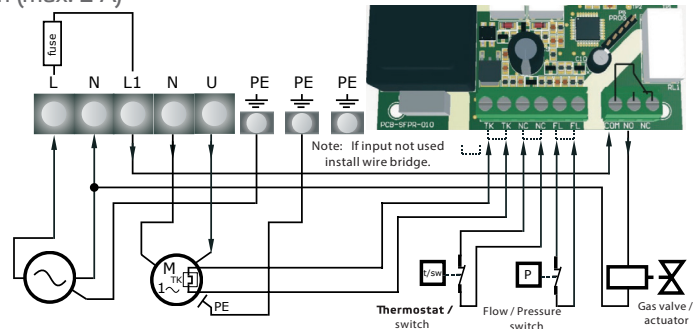


Legend

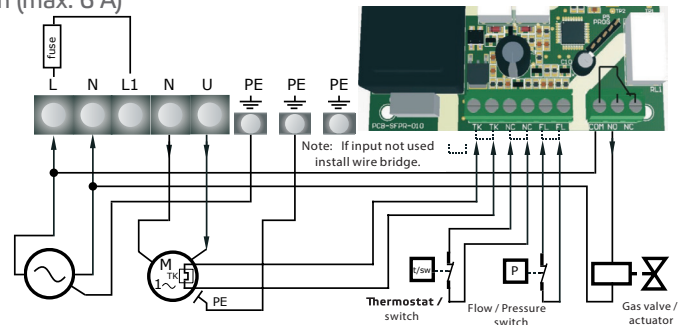
- U_A = Output voltage
I_{max.} = Max. Operating Current

Wiring diagrams :

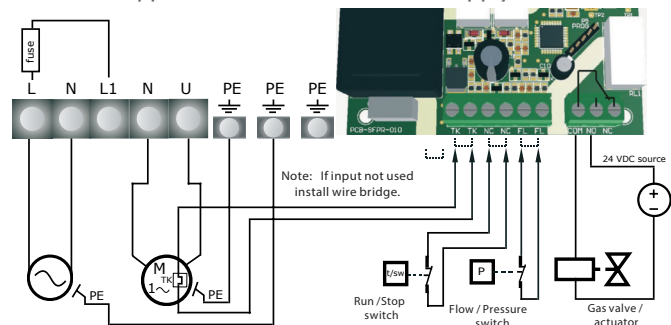
1 a. 230 VAC gas valve / actuator supplied from L1, N terminals with internal fuse protection (max. 2 A)



1 b. 230 VAC gas valve / actuator supplied from L, N terminals without separate fuse protection (max. 6 A)



1 c. Gas valve / actuator supplied from external 24 VDC supply.



Wiring and connections :

L, N	Supply voltage 230VAC ± 10 % - 50 / 60 Hz
PE	Earth terminal
OUTPUTS	
L1, N	Unregulated output, 230 VAC / 2 A
N, U	Regulated output to the motor (0 / 110 / 140 / 170 / 200 / 230 VAC ± 5 %)
PE	Earth terminal
COM, NO, NC	Changeover relay contacts, (230 VAC / 2 A)
INPUTS	
TK, TK	Thermal contacts
NC, NC	Run / Stop contacts, normally closed
FL, FL	Flow / pressure sensing contacts
Connections	Cable gland clamping range: 8-13 mm Cable cross section: depends on the article