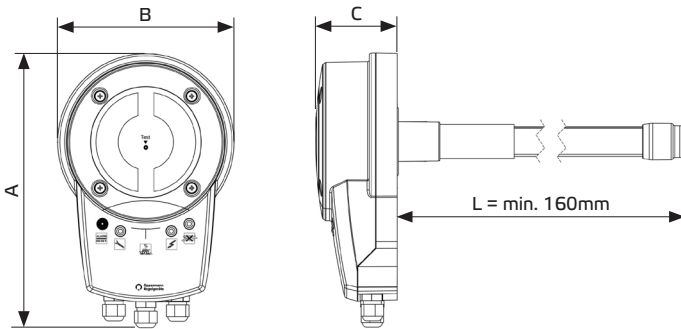


DATA SHEET

Duct smoke sensor SEN RAUCH



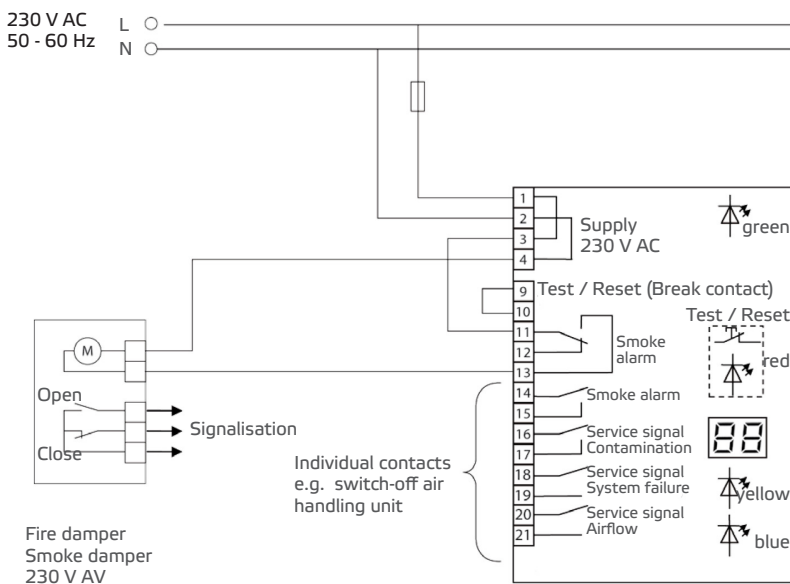
Type	ID	A mm	B mm	C mm	Weight kg
SEN RAUCH 01	148638	257	166	77	
SEN RAUCH 02	148637	257	166	77	

- Duct smoke sensor 230V AC
- Including sampling tube 160-600mm
- Contamination indicator in % and notification at 70 %
- Protection class IP54 (with WDG IP65)
- SEN RAUCH 01 + DIBt certification

Technical Data:

Detector type	Scattering RM 3.3
Supply voltage	230 V AC ±10%, 50/60Hz
Rated current	30mA
Relay outputs	potential-free
Alarm relay	1 Switch contact, 8 A, 250 V AC 1 Normally close contact, 8 A, 250 V AC
Operating temperature	-20°C - +50°C
Adm. flow	1 - 20 m/s
Adm. air humidity	10 - 95 % (non condensing)

Connection Diagram:



Wiring design example. The supply of the fire / smoke damper may take place on site. Alternatively, the fire / smoke damper can also be approached via terminal 14 + 15. Terminal 9 + 10 (Break contact for external push button)