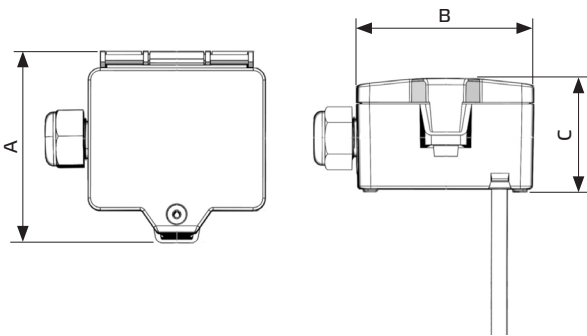


Duct temperature sensor **SEN TEMP**



Type	ID	A mm	B mm	C mm	Weight kg
SEN TEMP	148639	68	63	40	0,1

- Duct temperature sensor
- NTC 5k
- -50..+150°C
- Including mounting clip and fastening screws
- Protection class IP65
- Additional sensor, suitable for all **ruck** supply and heat recovery air handling units

Connection Diagram:

