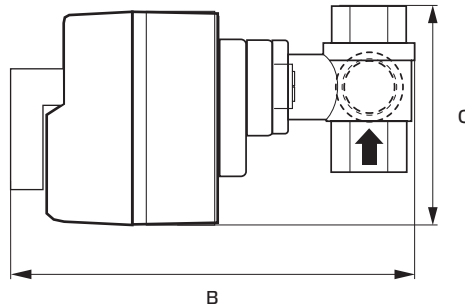
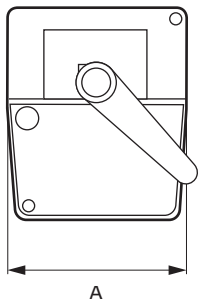
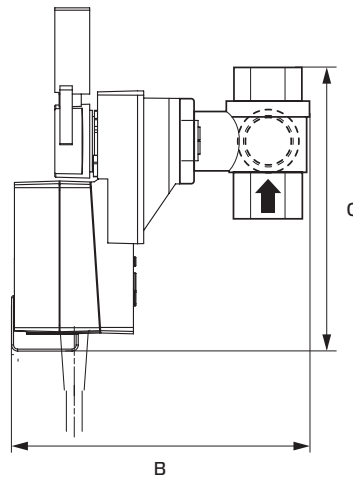
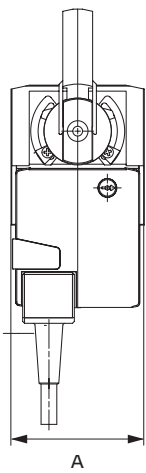


## Three way ball valve STK



Type	ID	U <sub>N</sub> V	DN mm	kvs m <sup>3</sup> /h	Activation	A mm	B mm	C mm	Weight kg
STK 01	112934	230	15	0,6	3 point	98	176	95	1,0
STK 05	121620	230	15	1,6	3 point	98	176	95	1,0

- 3-Way ball-valve with actuator 230 V
- 3 Point drive or Open/Close
- Suitable for the controllers of the ruck-units
- Internal screw thread connection
- DN 15 kvs 0,63...DN 15 kvs 1,6
- Temperature range 0 °C ... +50 °C
- Protection Class IP 40



Type	ID	U <sub>N</sub> V	DN mm	kvs m <sup>3</sup> /h	Activation	A mm	B mm	C mm	Weight kg
STK 02	112935	230	20	4,0	3 point	76	153	140	1,1
STK 03	112936	230	25	6,3	3 point	76	155	143	1,3
STK 04	117602	230	32	10,0	3 point	85	159	154	1,7
STK 06	141365	230	32	16,0	3 point	85	169	160	1,7
STK 07	141992	230	40	24,0	3 point	93	169	179	2,1

- 3-Way ball-valve with actuator 230 V
- 3 Point drive or Open/Close
- Suitable for the controllers of the ruck-units
- Internal screw thread connection
- DN 20 kvs 4,0...DN 40 kvs 25,0
- Temperature range 0 °C ... +50 °C
- Protection Class IP 54

### Legend

- DN = Diameter
- kvs = Discharge Coefficient
- U<sub>N</sub> = Nominal Voltage