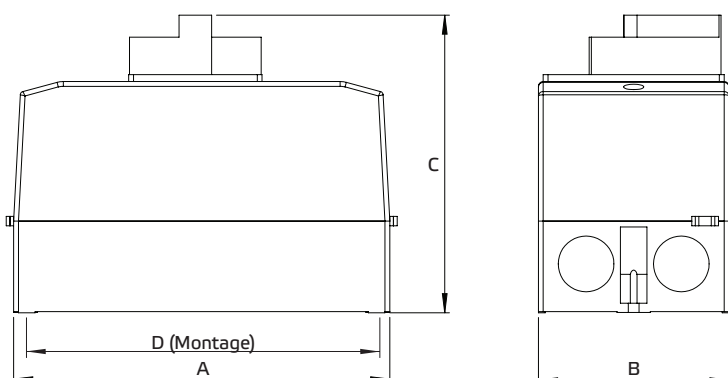


Motor protection switch MS



Type	ID	A mm	B mm	C mm	D mm	Weight kg
MS 01	140407	158	80	126	148	0,6
MS 02	140409	158	80	126	148	0,6
MS 03	140411	158	80	126	148	0,6
MS 04	140413	158	80	126	148	0,6

- Motor protection switch with device switch function
- $U_{max} = 400\text{ V}$, 50/60 Hz
- Surface mounting
- IP55

Type	ID	max. Rated operating capacity P	Pole	Main contact N/O contact	Overload release I_R	Short-circuit release I_{RM}
MS 01	140407	0,55 kW	3	3	1 - 1,6 A	24,8 A
MS 02	140409	1,5 kW	3	3	2,5 - 4 A	62 A
MS 03	140411	2,2 kW	3	3	4 - 6,3 A	97,7 A
MS 04	140413	4 kW	3	3	6,3 - 10 A	155 A

Overload trip current must be set according to fan rating plate data.

Wiring diagram :

