

Filters change ETA K device series

Project:

Device:

Location:

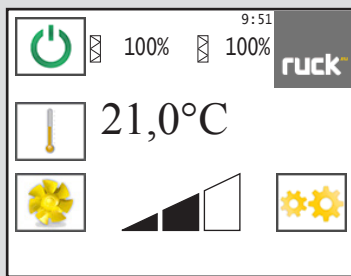
| | Device type | Filter type | Filtering class | Product ID | Price € * |
|--------------------------|---------------------------|----------------------|--------------------|------------|-----------|
| | ETA K ... F | | | | |
| <input type="checkbox"/> | ETA K 600F / Extract air | LFP 58 ISO ePM10 65% | ISO ePM10 65% (M5) | 136240 | 83,60 |
| <input type="checkbox"/> | ETA K 600F / Outdoor air | LFP 58 ISO ePM1 70% | ISO ePM1 70% (F7) | 136241 | 122,30 |
| <input type="checkbox"/> | ETA K 1200F / Extract air | LFP 28 ISO ePM10 65% | ISO ePM10 65% (M5) | 124367 | 140,60 |
| <input type="checkbox"/> | ETA K 1200F / Outdoor air | LFP 28 ISO ePM1 70% | ISO ePM1 70% (F7) | 124368 | 144,70 |
| <input type="checkbox"/> | ETA K 1600F / Extract air | LFP 41 ISO ePM10 65% | ISO ePM10 65% (M5) | 131037 | 116,20 |
| <input type="checkbox"/> | ETA K 1600F / Outdoor air | LFP 41 ISO ePM1 70% | ISO ePM1 70% (F7) | 131038 | 181,40 |
| <input type="checkbox"/> | ETA K 2400F / Extract air | LFP 01 ISO ePM10 65% | ISO ePM10 65% (M5) | 136438 | 142,70 |
| <input type="checkbox"/> | ETA K 2400F / Outdoor air | LFP 01 ISO ePM1 70% | ISO ePM1 70% (F7) | 136439 | 244,60 |

* Status September 2019

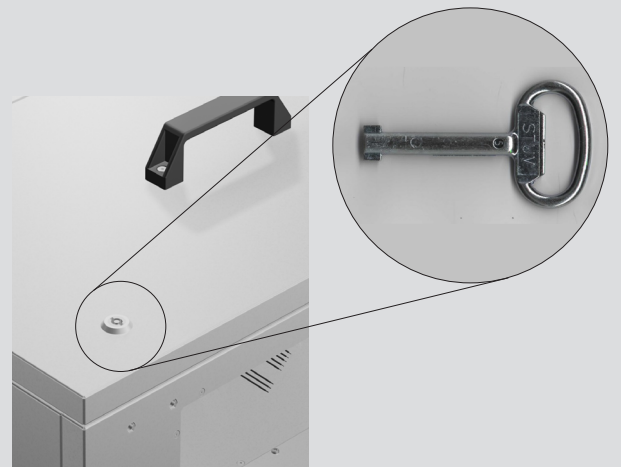
Filters change

ETA K 600 F, 1200 F, 1600 F, 2400 F

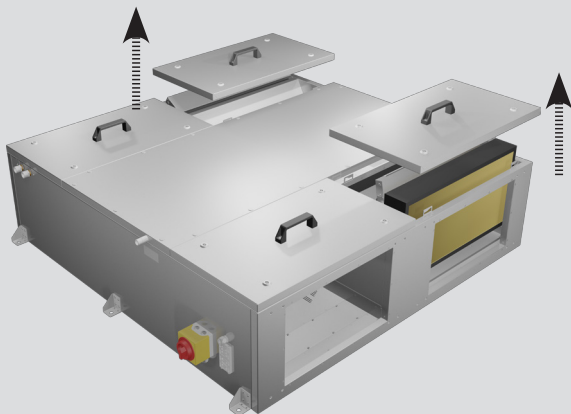
- 1** Switch off the equipment from the remote control unit. Wait until the equipment is switched off completely.



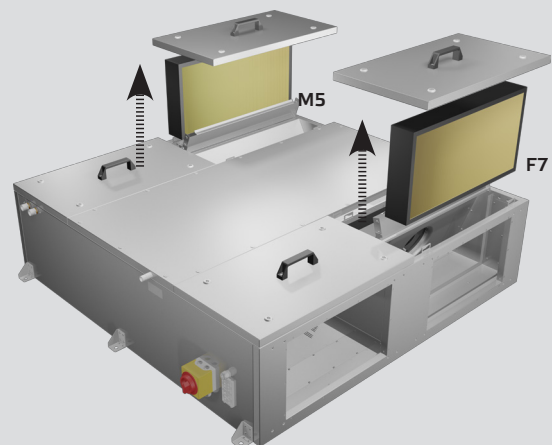
- 2** Unlock doors with the supplied key.



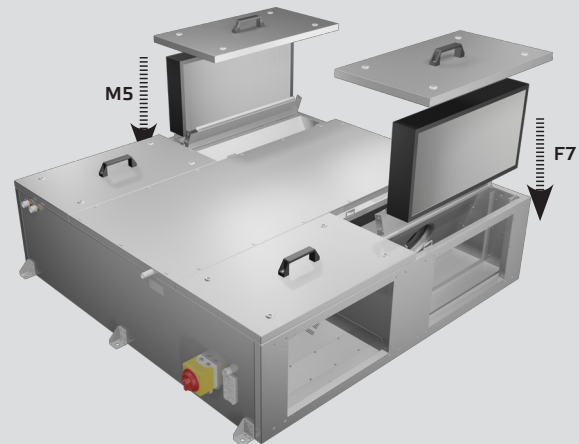
- 3** Remove the doors, then swing out the filters flaps.



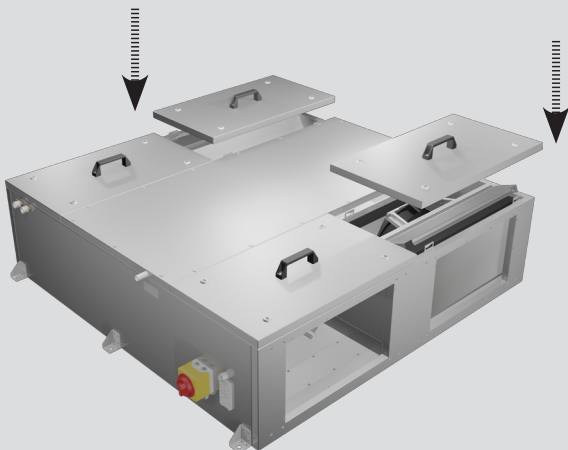
- 4** The air filters can be pulled out without tools.



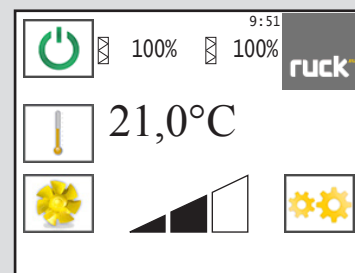
- 5** When changing the filters, pay attention to the correct fit of the filter frame between the guide rails in the unit. Damage to the filter surface must be avoided, otherwise the filter may tear during operation and the filter class is no longer guaranteed.



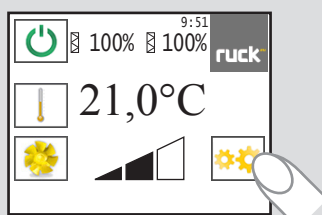
- 6** First close the filter flaps, then lock the doors.



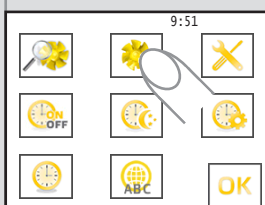
- 7** Switch on the equipment from the remote control unit.



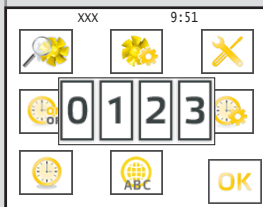
- 8** Calibrate filters



Menu level Operating parameters (qualified personnel)
You can access the Commissioning level by selecting the „Settings“ icon.
The display then shows the selection menu.

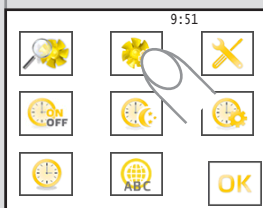


Selection menu
Now you can access the Operating parameters by touching the „Operating parameters“ icon.

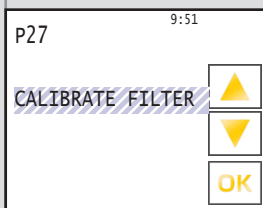


It is necessary to provide a password. This will remain valid for 30 min. After 30 minutes it is necessary to retype the password in order to continue making changes.

Password: 0213 (is shown as XXX near the time)

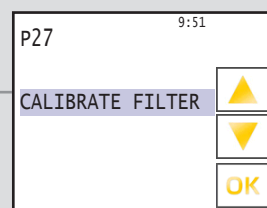


Now you have to select „Operating parameters“ again.

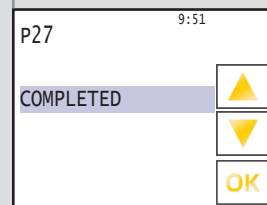


P 27 Calibrate filter

Calibrating the pressure loss at the unclogged filter. The calibrated value corresponds to 0% clogging.



The entire ventilation system has to be complete in order to execute the filter calibration. By touching the icon „▲“, the unit switches to the calibration mode. Display flashes „CALIBRATE FILTER“.



After calibration, the display shows „COMPLETED“.

