

# Filters change ETA K device series

Project: .....

Device: .....

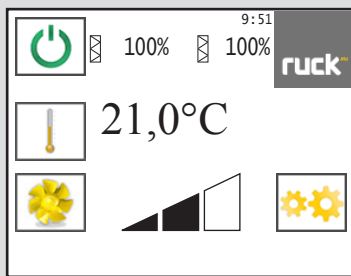
Location: .....

	Device type	Filter type	Filtering class	Product ID	Price € *
	<b>ETA K ... V</b>				
<input type="checkbox"/>	ETA K 600V / Extract air	LFP 44 ISO ePM10 65%	ISO ePM10 65% (M5)	137745	81,50
<input type="checkbox"/>	ETA K 600V / Outdoor air	LFP 45 ISO ePM1 70%	ISO ePM1 70% (F7)	137746	138,60
<input type="checkbox"/>	ETA K 1200V / Extract air	LFP 42 ISO ePM10 65%	ISO ePM10 65% (M5)	137308	89,70
<input type="checkbox"/>	ETA K 1200V / Outdoor air	LFP 43 ISO ePM1 70%	ISO ePM1 70% (F7)	137309	228,30
<input type="checkbox"/>	ETA K 2400V / Extract air	LFP 54 ISO ePM10 65%	ISO ePM10 65% (M5)	139109	118,20
<input type="checkbox"/>	ETA K 2400V / Outdoor air	LFP 55 ISO ePM1 70%	ISO ePM1 70% (F7)	139108	401,50

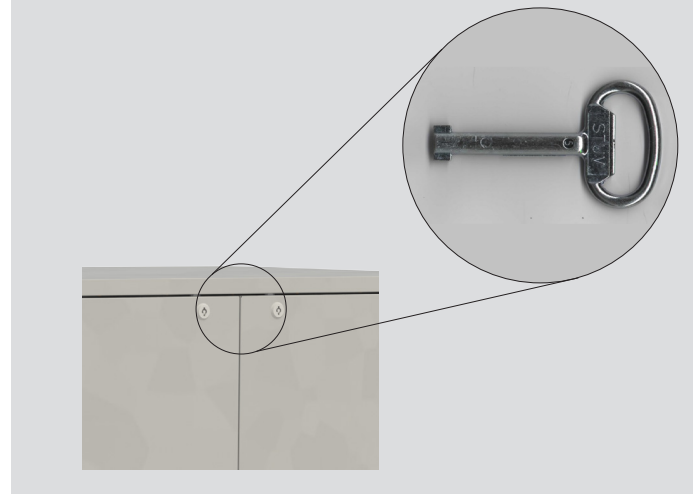
\* Status September 2019

# Filters change ETA K 600 V, 1200 V, 2400 V

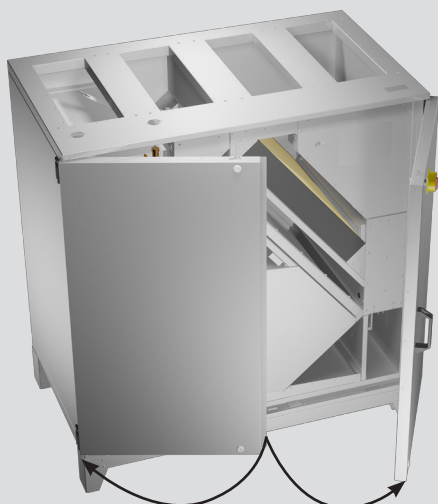
- 1** Switch off the equipment from the remote control unit. Wait until the equipment stays still.



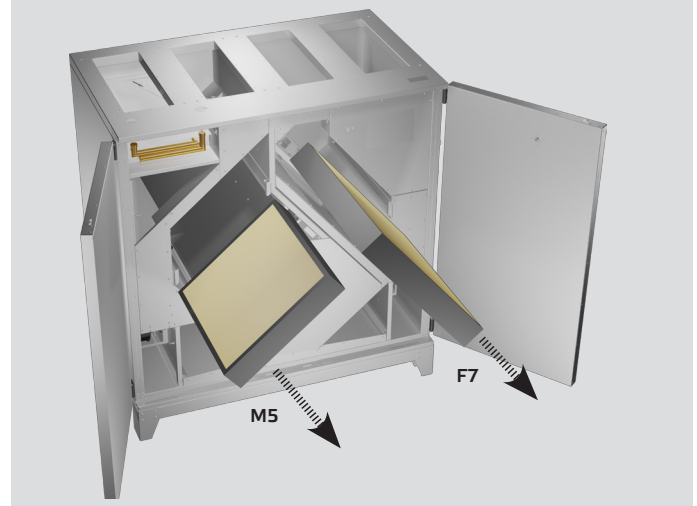
- 2** Unlock doors with the supplied key.



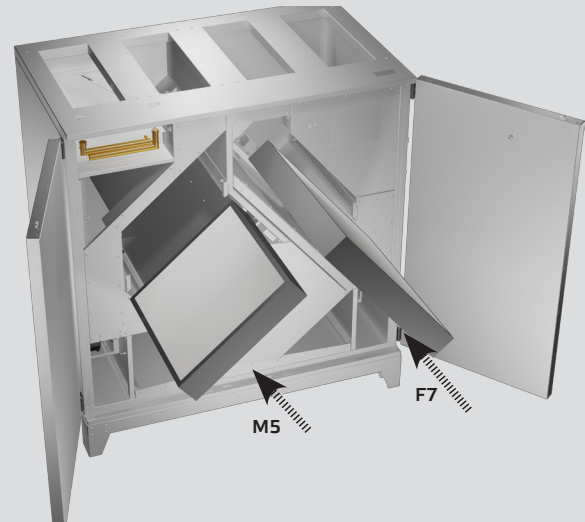
- 3** Open the doors, then pull out the filters clamps.



- 4** The air filters can be pulled out without tools.



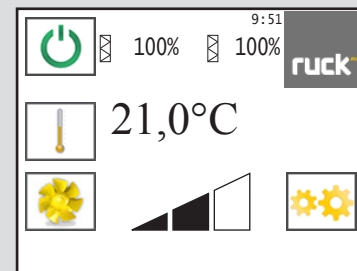
- 5** When changing the filters, pay attention to the correct fit of the filter frame between the guide rails in the unit. Damage to the filter surface must be avoided, otherwise the filter may tear during operation and the filter class is no longer guaranteed.



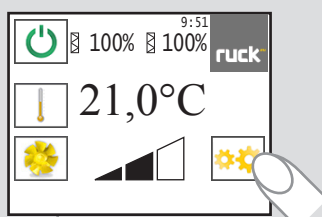
- 6** Push back the filters clamps, then close and lock the doors.



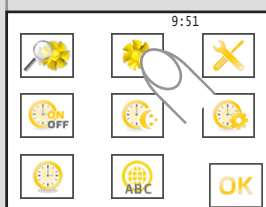
- 7** Switch on the equipment from the remote control unit.



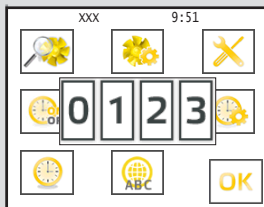
- 8** Calibrate filters



Menu level Operating parameters (qualified personnel)  
You can access the Commissioning level by selecting the „Settings“ icon.  
The display then shows the selection menu.

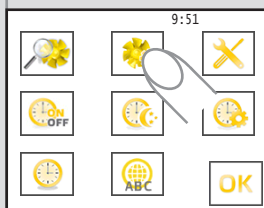


Selection menu  
Now you can access the Operating parameters by touching the „Operating parameters“ icon.

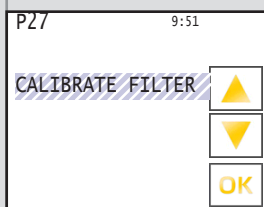


It is necessary to provide a password. This will remain valid for 30 min. After 30 minutes it is necessary to retype the password in order to continue making changes.

Password: 0213 (is shown as XXX near the time)

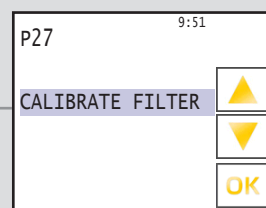


Now you have to select „Operating parameters“ again.

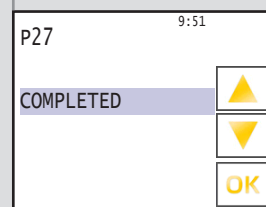


### P 27 Calibrate filter

Calibrating the pressure loss at the unclogged filter.  
The calibrated value corresponds to 0% clogging.



The entire ventilation system has to be complete in order to execute the filter calibration. By touching the icon „▲“, the unit switches to the calibration mode. Display flashes „CALIBRATE FILTER“.



After calibration, the display shows „COMPLETED“.

