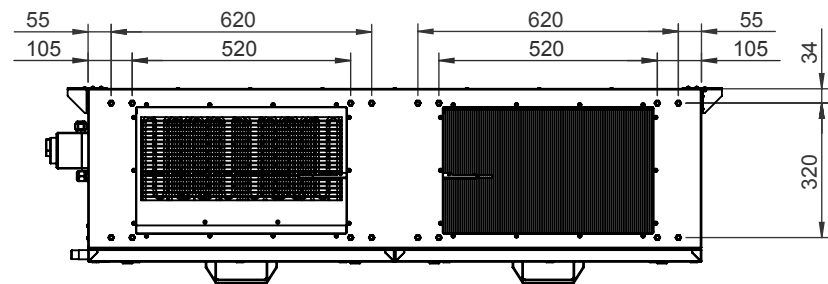
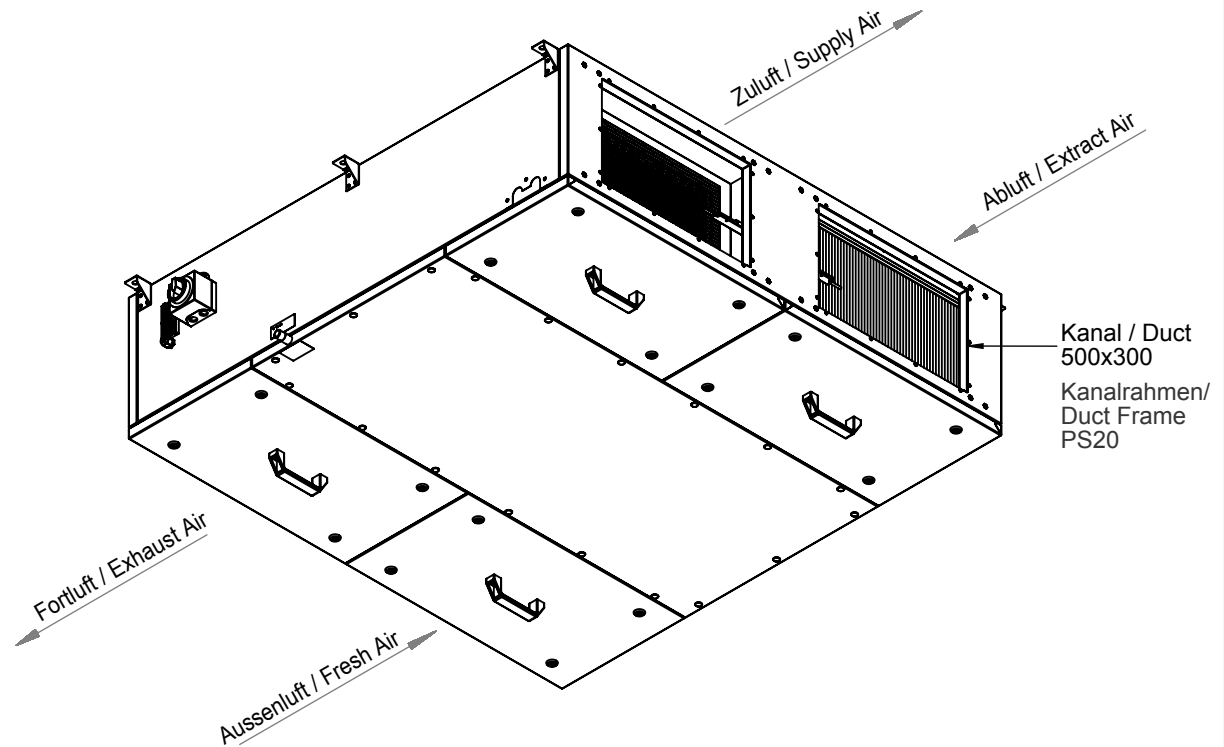
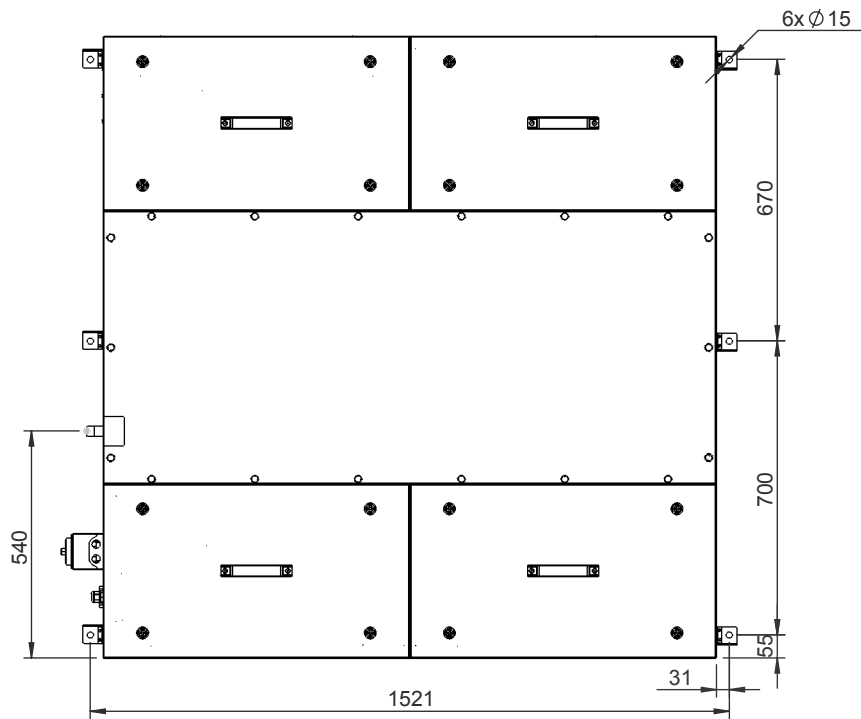


Kondensatablauf 1/2"
Aussengewinde Drain 1/2"
male thread



ruck^{EU}
VENTILATOREN

Protection Mark according to ISO16016

General tolerances DIN ISO 2768-c

1:20 A4 mm

Drawn: d.ursu
Created: d.ursu
Changed: d.ursu

30.05.16
27.11.15
06.07.17

ETAK1200FEOJR+

135335 01

ruck Ventilatoren
Max-Planck-Str. 5
D-97944 Boxberg