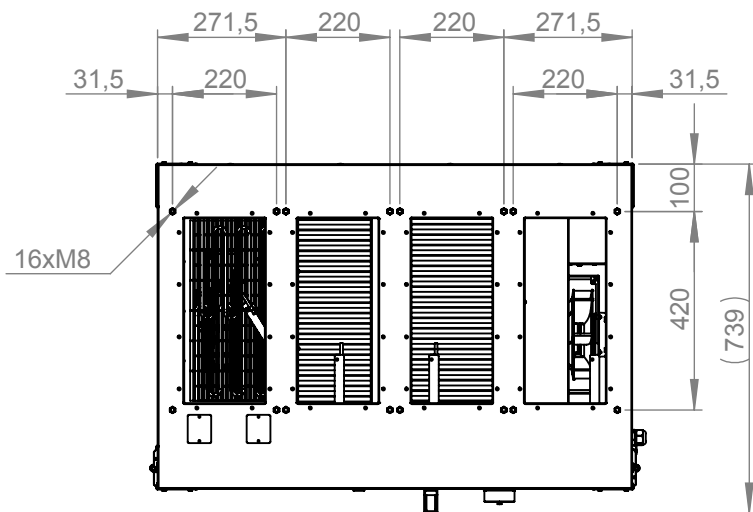
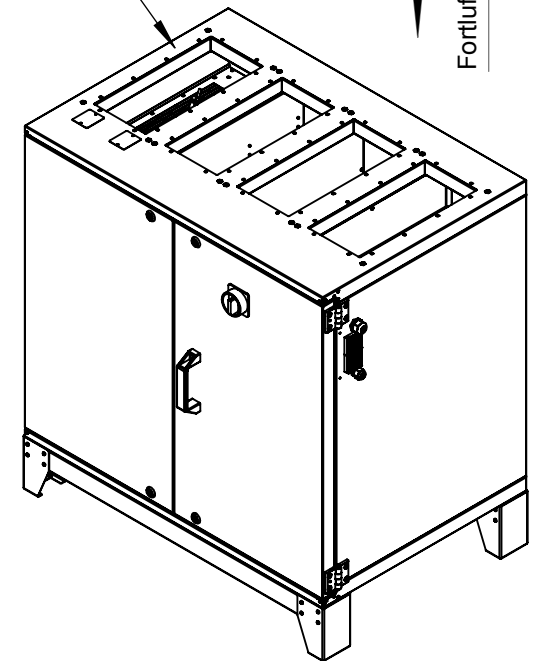
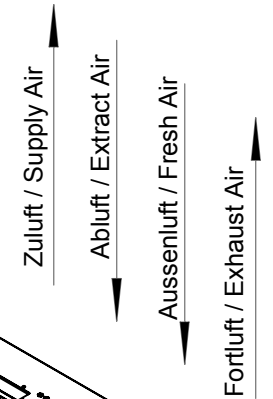


Kanal / Duct  
400x200mm

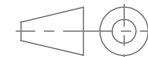
Kanalrahmen /  
Duct Frame  
PS20



Kondensatablauf 1"  
 Aussengewinde  
 Drain 1"  
 male thread



ruck Ventilatoren  
 Max-Planck-Str. 5  
 D-97944 Boxberg



Protection Mark  
 according to ISO16016

Drawn: d.andree  
 Created: d.andree  
 Changed: d.andree

1:20 A4 mm

General tolerances  
 DIN ISO 2768-c

**ETAK600VEOJR+**

**138085 02**

21.11.2016  
 21.11.2016  
 07.07.17