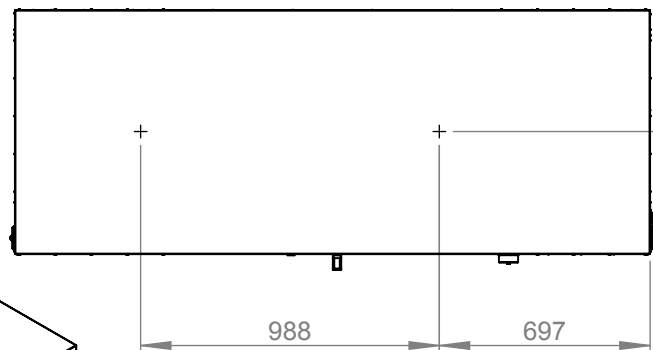


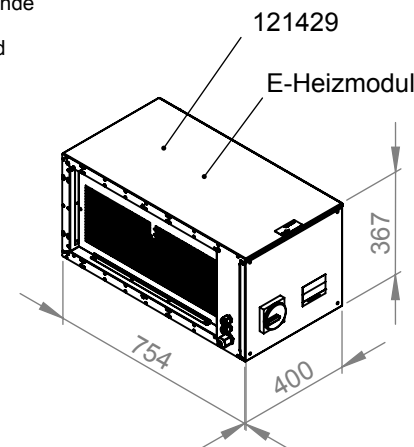
Kanal / Duct
550x400mm

Kanahramme /
Duct Frame
PS20



(153)

Kondensatablauf 1"
Außengewinde
Drain 1"
male thread



ruck Ventilatoren
Max-Planck-Str. 5
D-97944 Boxberg



1:25 A4 mm

Protection Mark
according to ISO16016

General tolerances
DIN ISO 2768-c

Drawn: m.deissler
Created: m.deissler
Changed: d.andree

24.04.17
21.04.17
04.01.18

ETAK2400HEOJR+

139793 02