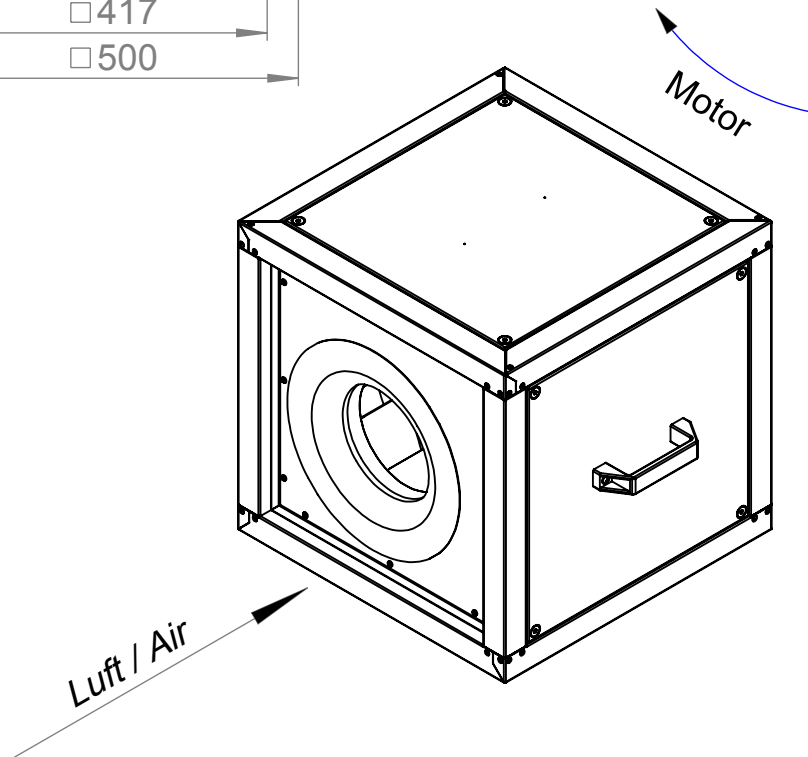


Anschlussmaß innen
min. ϕ 240
Connection size inside
min. ϕ 240



1:10 A4 mm

Protection Mark
according to ISO16016

General tolerances
DIN ISO 2768-c

Created s.pop
Drawn s.pop
Released v.brand
Disabled

22.02.2018
22.02.2018
27.02.2020

MPC280ECT30

143079 00